



LED Street Light

A Spec

The ORCA luminaires can integrate the smart control solutions to operate either in stand-alone mode, in an autonomous network or an interoperable network. Dimming scenarios and light-on-demand features including sensors can adapt the lighting to the real needs of the place and the time to ensure safety and well-being in the most sustainable way.

Applications

Roadway lighting
(Urban roads, residential areas, overpasses...)
Public areas lighting
(Theme parks, squares, parking lots...)



Specifications

Arc design to reduce wind resistance

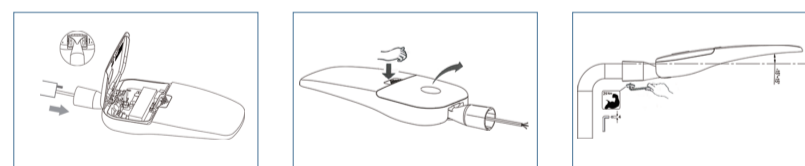
Die-cast aluminum housing and tempered glass.

Luminous efficacy > 150 lm/W Max

Tool-less entry for easy installation and maintenance

0° or 90°

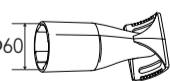
0-90°



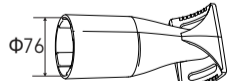
Slip Fitter On Option



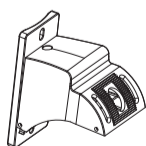
spigot $\Phi 45\text{mm}$



spigot $\Phi 60\text{mm}$



spigot $\Phi 76\text{mm}$



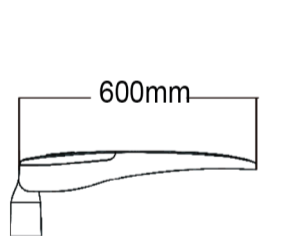
parking or wall mounting



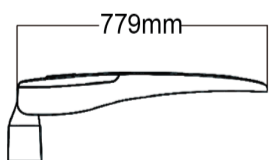
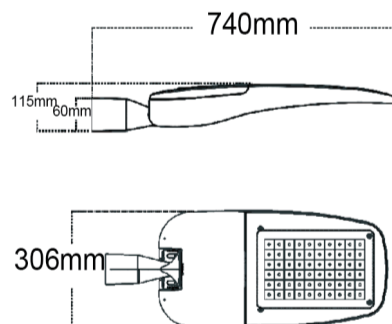
Technical Data

Optical Specifications

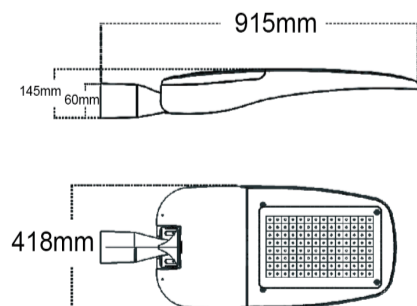
Code	181099/181100	181101/181102/181103
Size	740*306*115	915*418*145
Rated Power	150/200W	210/240/300W
Beam Angle	T2-S/T2-M/T2-MA/T2/T3-M/T3/T4/T5	
Efficiency@3030	150LM/W	150LM/W
Efficiency@5050	160LM/W	160LM/W
Efficiency@3535	140LM/W	140LM/W
Luminous Flux@3030	22500/30000	31500/36000/42000
Luminous Flux@5050	24000/32000	33600/38400/51200
Luminous Flux@3535	21000/28000	29400/33600/44800
CCT	3000K-6500K	3000K-6500K
CRI	Ra>70	Ra>70
Input Voltages	120-277V	120-277V
Frequency	50/60Hz	50/60Hz
Power Factor	>0.95	>0.95
Protection Index	IP66	IP66
Impact Resistance	IK08	IK08
Working Temperature	-40-50 °C	-40-50 °C
Working Humidity	10%-95%	10%-95%
Electrical Class	Class I / II	Class I / II
Finishing	Standard color(RAL 7035,7042,9006,9007) other colors upon request	
Service Life	>50000H	>50000H



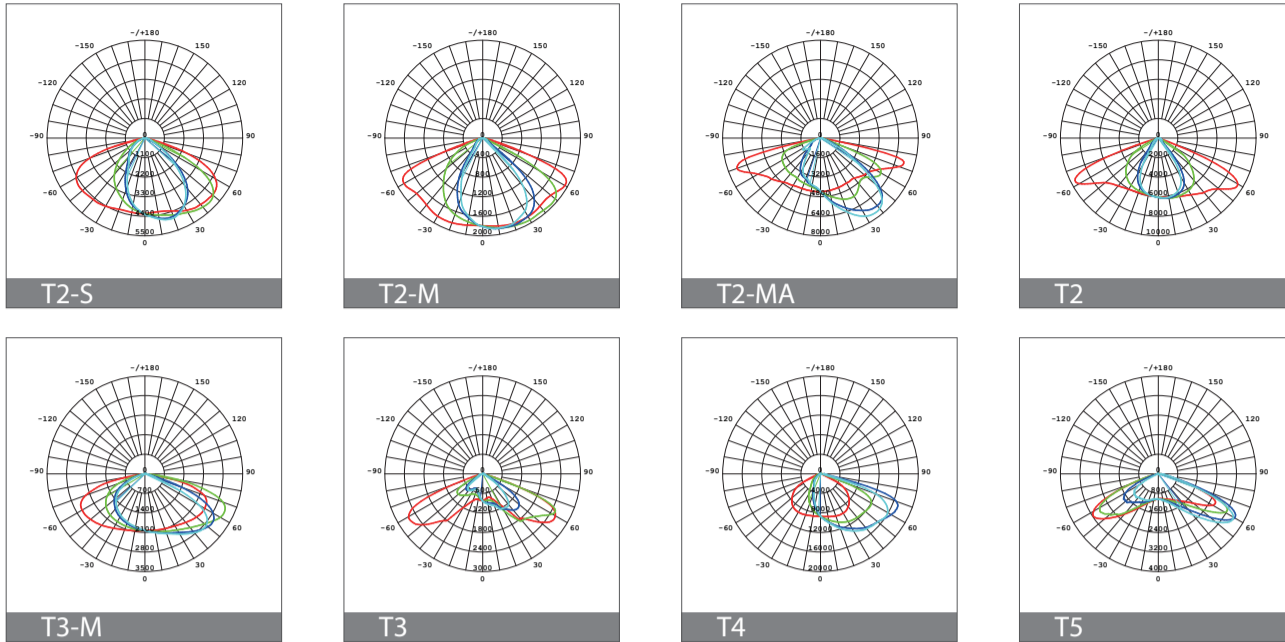
ORCA II 181100
181099



ORCA III 181103
181102
181101



Photometrics



Dio poles and brackets

